

AIDARY

User manual

Mug Heat Press
Machine

AP2245

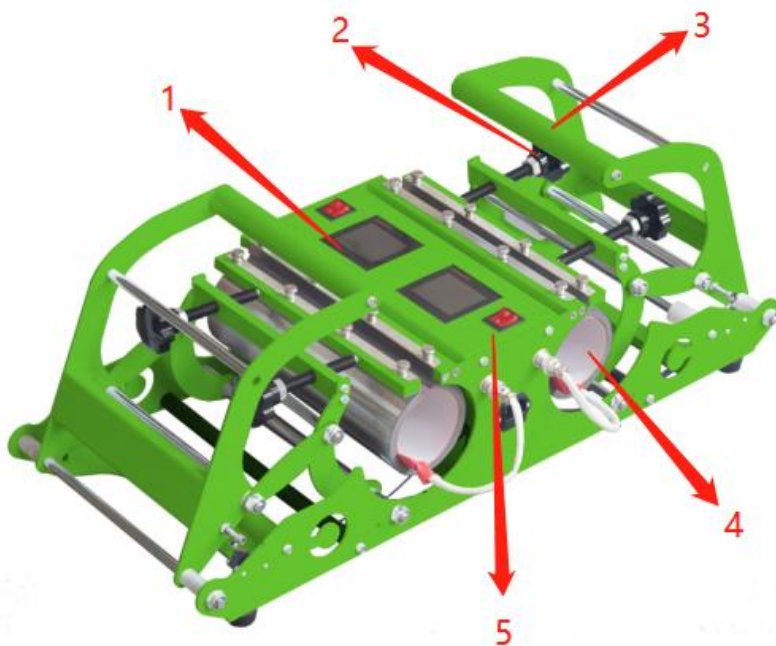
Introduction

A heat press machine is using temperature and pressure with a certain amount of time to transfer images on items, the transfer is permanently embedded into the product.

Package Contents

- 1 x Heat Press Machine
- 1 x Power plug
- 1 x User Manual

Product Structure



1. LCD Controller	4. Mug Heater
2. Pressure Knob	5. Power Switch
3. Press Handle	

1. Printing Methods

1. Make sure the power plug is well connected to the wall socket, then press the power switch to turn on.
2. Set the temperature and the time you want (See the temp&time setting sheet)
3. The buzzer will sound when the temperature reaches the setting temperature, place the mug into mug heater, rotate the pressure knob to get the right pressure required.
4. Press down the handle and the display will count down automatically.
5. The buzzer will sound again when the scheduled time is up, then lift up the handle, the transfer work is finished.

2. Recommended Setting for the Object

SURFACE	PRESS TIME	TEMPERATURE	PRESSURE	TIPS
Ceramic mug	200-250 seconds	180°C-200°C	40 PSI (Medium)	With sublimation paper
Plastic mug	50-60 seconds	180°C-200°C	40 PSI (Medium)	With sublimation paper
Metal mug	40-50 seconds	165°C-175°C	40 PSI (Medium)	With sublimation paper
These are approximate datas FYI				

3. Warning:

1. Different item will require different temperature and time setting because the materials or thickness is different.
2. This machine is not suitable for children to use or for food processing.
3. Please turn off the machine and unplug the power cord when the machine is not in use.

4. Maintain Note:

1. We don't recommend setting temperature more than 180°C/482 F.
2. **DO NOT HEAT WITHOUT A MUG IN THE MUG HEATER!**
3. Apply appropriate pressure, do not apply too much pressure.
4. The difference between the height of mug and the length of the mug heater should be less than 2CM.

5.Troubleshooting:

No action after turn on the machine.

1. Check the plug whether it connects well or whether it is broken.
2. Check the fuse whether it has been burnt out.
3. Check the power switch or digital controller whether it is broken.

Indicating light is on but the display screen is black.

Check the 5 cable of railway transformer. The connection is poor if it is loose, just fix it. The transformer may be faulty if the cable is well connected just fix it.

The display screen is working well but the temperature is not heating up.

1. Check if the indicating light of solid-state relay is on, if not, please check whether the relay or digital controller is broken.
2. The heat platen still can't heating up if you already changed the new solid-state relay, please check whether the heat plate is faulty or the heat plate's power cable is loose, if so, it will need to change a new heatplate.

The temperature is out of control: Set temperature 180°C (356°F), but the actual temperature is above 200°C (392°F)

1. It means the solid-state relay is broken, out of control, need to change a new relay.
2. Or the digital controller is faulty, need to change controller.

The print color is pale or faded image

The pressure is not high enough or The temperature is too low / pressing time is too short. Please adjust the pressure/ temperature or increase the heating time.

The print color is too Darkened, deep or blurred image

The temperature is too high / or pressing time is too long. Please adjust the temperature or reduce the heating time.

The print color is different/ partial transfer effect is not good enough

Pressing time is too short/ using poor quality transfer paper. Please increase the heating time or use high quality transfer paper.

The transfer paper stick to the object after transfer

The temperature is too high / use poor quality printing transfer paper Please adjust the temperature or use high quality transfer paper.

Fujian Aidary Appliance Co.,Ltd



info@heatpresscn.com



No.318,Bailong Area, Minhou,Fuzhou,Fujian, China.350018



www.aidary.com



<https://www.facebook.com/heatpresscn>



<http://www.youtube.com/user/heatpresscn>



RoHS
Made in China

